

SpaceLogic Sensors

Humidity Sensors

EH Series



Product Description

The EH Series room, duct and outdoor humidity sensors are a universal Relative Humidity transmitter that can be powered with either a +15 to 36 Vdc or 24 Vac supply voltage. The EH Series sensors are designed with a field-selectable 4-20 mA, 0-5 VDC, or 0-10 Vdc output signal that is equivalent to 0 to 100% RH. The EH Series is used in building automation systems, humidity chambers and OEM applications and is compatible with Vista, Continuum, I/Net and I/A systems.

Features

- Single-point field calibration
- Field selectable output signals
- $\pm 2\%$ accuracy
- Low drift
- Highly repeatable
- Integral temperature sensor

Available Products

Description	Vista	I/Net	Continuum	I/A
Room - Humidity Only			EHR110	
Room - Humidity and Temperature	EHR110-100	EHR110-200	EHR110-500	EHR110-800
Duct - Humidity Only			EHD110	
Duct - Humidity and Temperature	EHD110-100	EHD110-200	EHD110-500	EHD110-800
Outdoor - Humidity Only			EHO110	
Outdoor - Humidity and Temperature	EHO110-100	EHO110-200	EHO110-500	EHO110-800

Miscellaneous Option	Code
LCD Display*	-LCD

*Room units only. LCD displays humidity value.

North America (USA): +1 888 444 1311
 Europe, Middle East & Africa (Sweden): +46 10 478 2000
 Asia Pacific (Singapore): +65 6484 7877
 product.support@schneider-electric.com
 www.schneider-electric.com

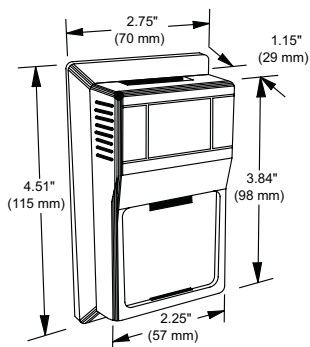
Schneider
 Electric

Specifications

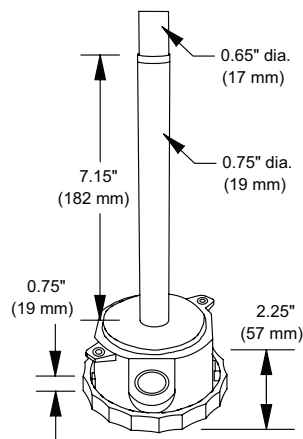
Supply voltage	250 Ohm Load: +15 to 36 Vdc / 21.6 to 26.4 Vac 0-5VDC: +15 to 36 Vdc / 21.6 to 26.4 Vac 500 Ohm Load: +18 to 36 Vdc / 21.6 to 26.4 Vac 0-10VDC: +18 to 36 Vdc / 21.6 to 26.4 Vac
Power consumption	1VA maximum
RH measurement range	0 to 100%
RH output	2-wire, 4 to 20mA (factory atandard) 3-wire, 0-5, 0-10 Vdc or 4 to 20mA
Accuracy at 77 °F (25 °C)	+/- 2% from 20 to 95%
Long-term stability	Less than 2% drift / 5 years
Hysteresis	Less than 0.4% RH
Repeatability	0.5% RH
Sensitivity	0.1 % RH
Response time	110 seconds for 63% step
Storage temperature range	41 to 95 °F (5 to 35 °C) < 75% RH
Operating temperature range	-10 to 122 °F (-23.3 to 50 °C)
Operating humidity range	0 to 95 % RH non-condensing
Saturation response time	10 minutes for 63% step
Temperature sensor output at 77 °F (25 °C)	1.8K ohm (Vista), 10K ohm Type II (I/Net), 10K ohm Type III (Continuum), 10K ohm with 11K ohm shunt (I/A)

Dimensions

EHR110 Series



EHD110 Series



EHO110 Series

